

TECHNICAL SHEET

PYRO-BOX

The PYRO-Box is a self-contained counting system using the PYRO Sensor technology* in order to detect the infrared radiation emitted by the human body. The system can be installed in a few minutes on any existing post or flat surface and can thus easily be moved between multiple counting locations. Very resistant to vandalism, it works in all weather conditions.

- + Non-intrusive technology
- + Range of up to 15m / 50'
- + Resistant to vandalism



Physical Characteristics

Waterproofness	IP66
Temperature Resistance	-40 °C to +55 °C (-40 °F to 130 °F)
Weight	4 kg (9 lbs) (including components and mounting plate)
Dimensions	+ PYRO-Box: 195 x 110 x 275 mm (7.5 x 4 x 11 inches) + Fixing Plate: 228 x 144 mm (9 x 4.5 inches)
Material	+ PYRO-Box: Polyamide (30 % glass fibre reinforced) + Fixing Plate: Stainless steel + Tightening Collars: Stainless steel
Color	Grey - RAL 7045 (others may be available on request)

General Characteristics

Installation	PYRO-Box fixed to a flat surface or to an existing post by using a metal plate
Data Backup	60-minute or 15-minute data recording interval
Memory	> 20 months
Battery Life	+ With automatic data transmission option: 2 years + With manual data collection: Up to 10 years
Covered Width	+ 1 meter, 4 meters or 15 meters (3', 15' or 50') + Two PYRO Sensors can be combined to cover very wide paths

* For more information about the PYRO Sensor, please refer to the PYRO Counter technical sheet.



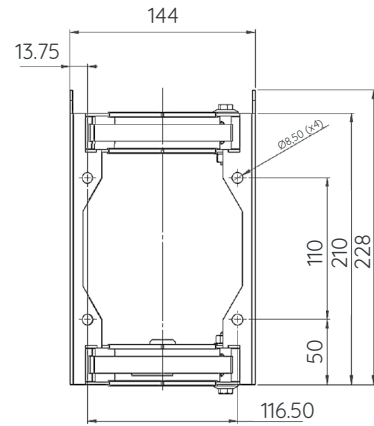
Quick & easy installation on any post



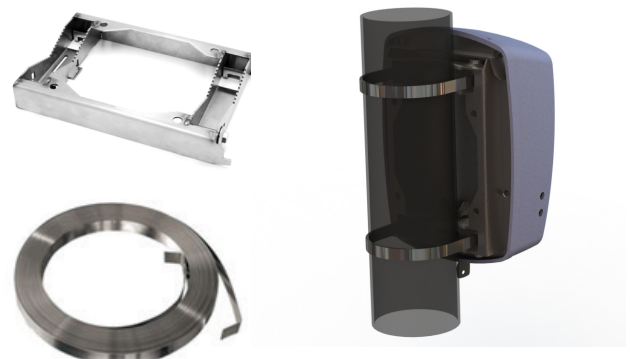
Mobile or Permanent

TECHNICAL SHEET

PYRO-BOX



Metric Conversion Table			
144 mm	5.5"	50 mm	2"
13.75 mm	0.5"	210 mm	8.5"
8.50 mm	11/32"	228 mm	9"
110 mm	4"	116.50 mm	4.5"



Minimum acceptable diameter: 50 mm (2")
 Maximum acceptable diameter: 200 mm (8")



Europe | Worldwide
 4 rue Charles Bourseul | 22300 Lannion | France
 +33 2 96 48 48 81

North America
 604-3981 St. Laurent Blvd. | Montreal, QC H2W 1Y5 | Canada
 Toll Free: 1-866-518-4404 | Direct: 1-514-849-9779

www.eco-counter.com